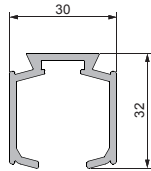
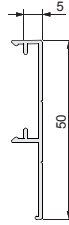


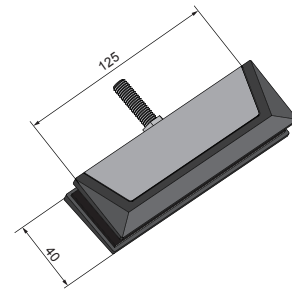
Under roller



Top track

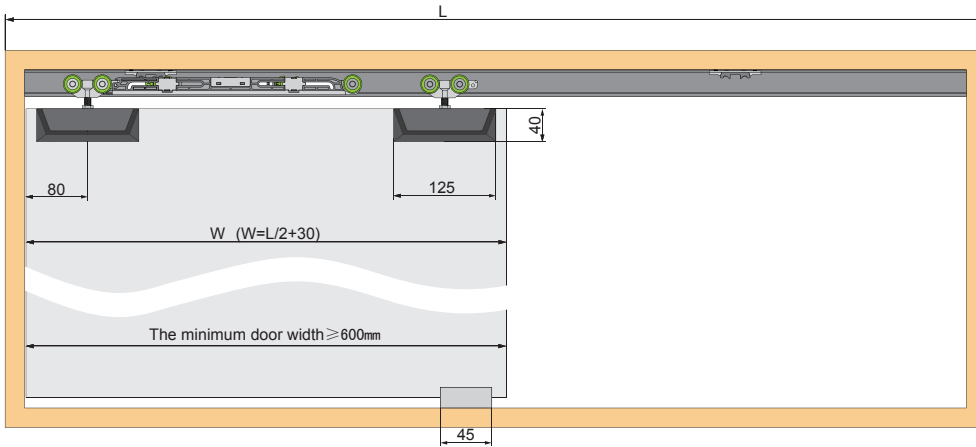


Decorative cover

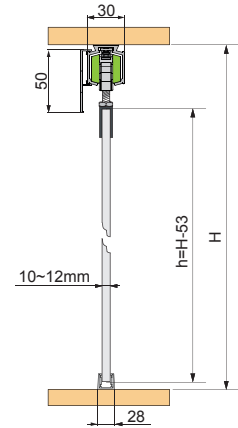


Glass clamp 4

Installation parameter introduced

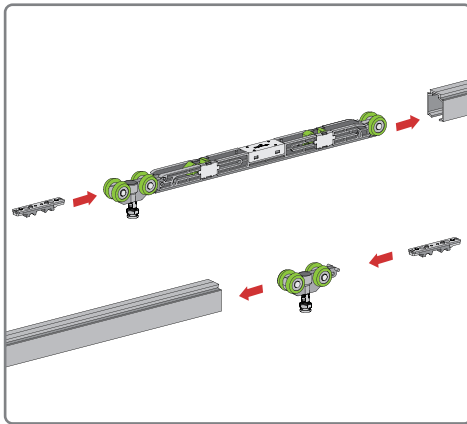


Door height(h)=H-53mm

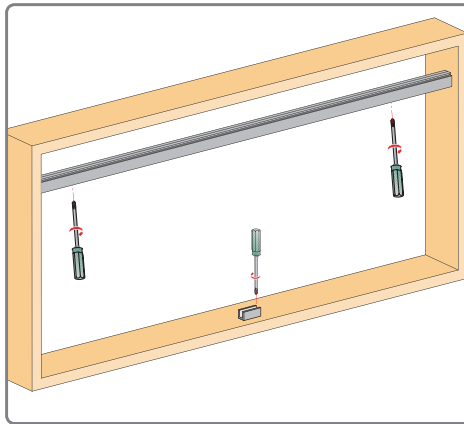


Installation steps:

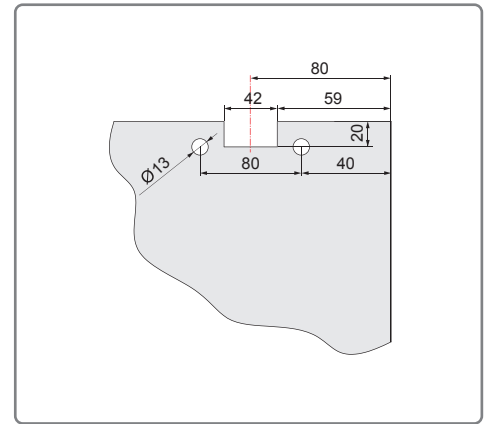
1 Install up roller and stopper



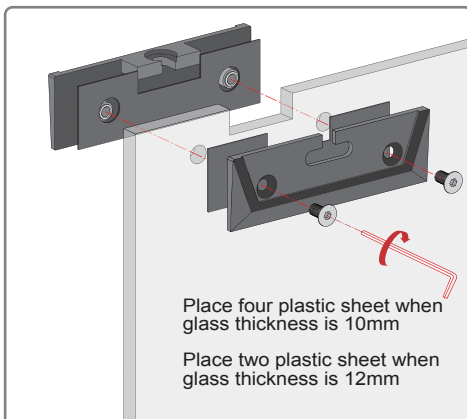
2 Install top track and bottom roller



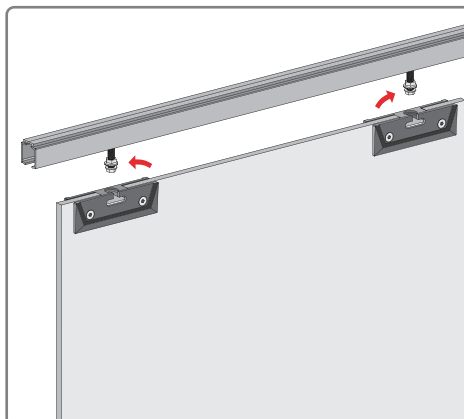
3 Glass hole size



4 Install upper round hanging support



5 Install door panel



6 Adjust door panel

